

## Self-priming "JET" pumps

-  Clean water
-  Domestic use
-  Civil use



### PERFORMANCE RANGE

- Flow rate up to **85 l/min** (5.1 m<sup>3</sup>/h)
- Head up to **70 m**

### APPLICATION LIMITS

- Manometric suction lift up to **9 m** (HS)
- Liquid temperature between **-10 °C** and **+40 °C**
- Ambient temperature up to **+40 °C**
- Max. working pressure **6 bar**
- Continuous service **S1**

### CONSTRUCTION AND SAFETY STANDARDS

EN 60335-1  
IEC 60335-1  
CEI 61-150

EN 60034-1  
IEC 60034-1  
CEI 2-3



### CERTIFICATIONS

Company with management system certified DNV  
ISO 9001: QUALITY



### INSTALLATION AND USE

Suitable for use with clean water and liquids that are not chemically aggressive towards the materials from which the pump is made. The self-priming **JSW** pumps are designed to pump water even in cases where air is present. Because of their reliability and the fact that they are easy to use, they are recommended for use in domestic applications such as the distribution of water in combination with small or medium sized pressure tanks, and for the irrigation of gardens and orchards, etc. The pump should be installed in an enclosed environment or sheltered from inclement weather.

### PATENTS - TRADE MARKS - MODELS

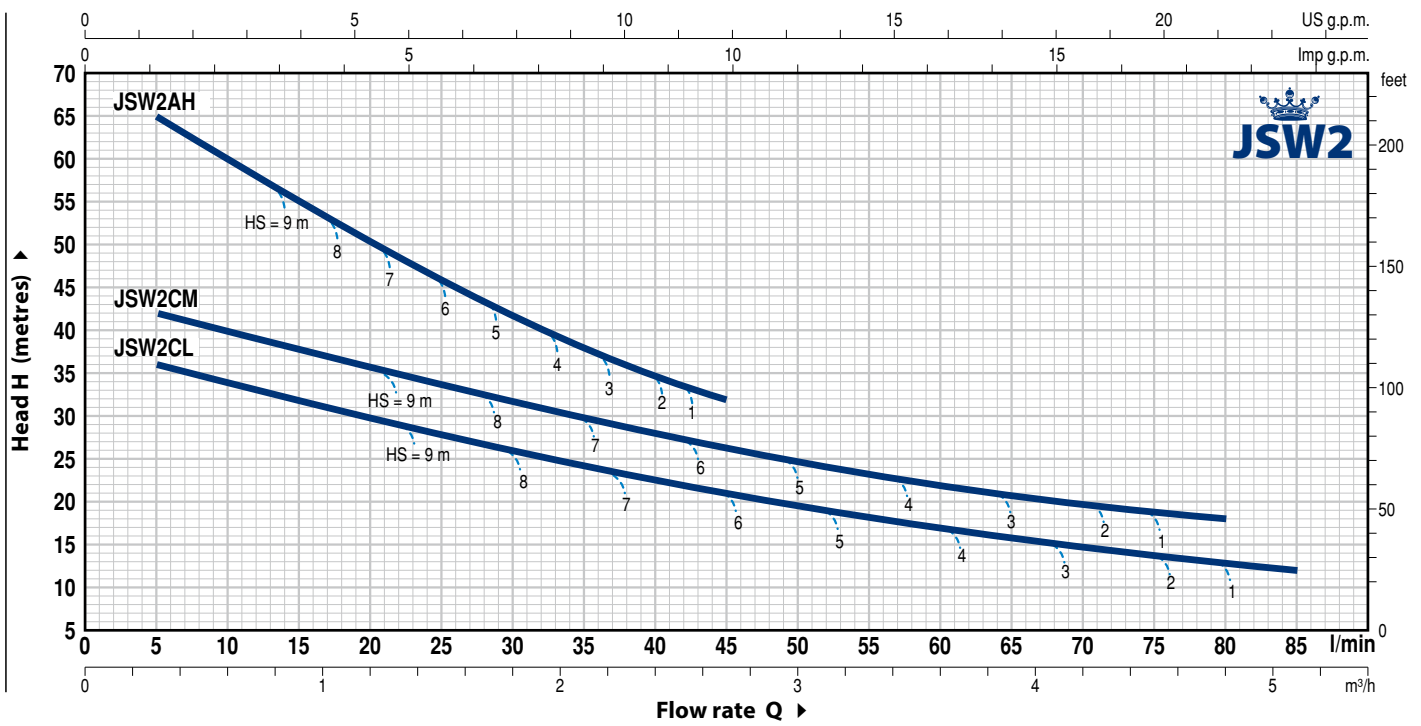
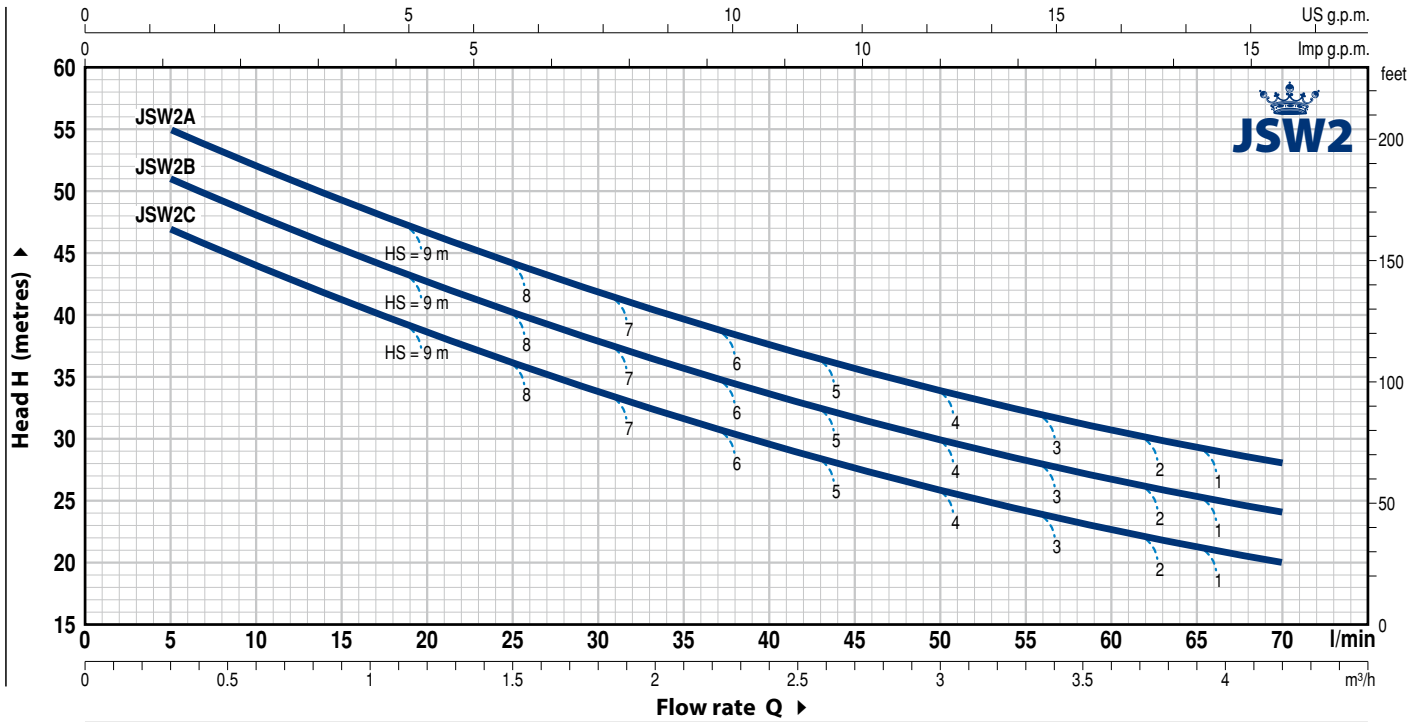
- Registered Trade Mark n. 013073135 JSW<sup>®</sup>
- Registered EU Design n. 002218610-0002
- European Patent n. 1 510 696

### OPTIONS AVAILABLE ON REQUEST

- Other voltages or 60 Hz frequency
- Pumps with technopolymer impeller

### CHARACTERISTIC CURVES AND PERFORMANCE DATA

50 Hz n = 2900 min<sup>-1</sup> HS = 0 m



MODEL		POWER (P <sub>2</sub> )		▲	Q m <sup>3</sup> /h l/min	H metres												
Single-phase	Three-phase	kW	HP			0	0.3	0.6	1.2	1.8	2.4	2.7	3.0	3.6	4.2	4.8	5.1	
					0	5	10	20	30	40	45	50	60	70	80	85		
JSWm 2C	JSW 2C	0.75	1	IE3	50	47	44	38.5	34	29.5	27.5	26	22.5	20				
JSWm 2B	JSW 2B	0.90	1.25		54	51	48	42.5	38	33.5	31.5	30	26.5	24				
JSWm 2A	JSW 2A	1.1	1.5		58	55	52	46.5	42	37.5	35.5	34	31	28				
JSWm 2CM	JSW 2CM	0.75	1		44	42	40	35.5	31.5	28	26	24.5	22	19.5	18			
JSWm 2CL	JSW 2CL	0.75	1		38	36	34	30	26	22.5	21	19.5	17	14.5	13	12		
JSWm 2AH	JSW 2AH	1.1	1.5		70	65	60	50.5	41.5	34.5	32							

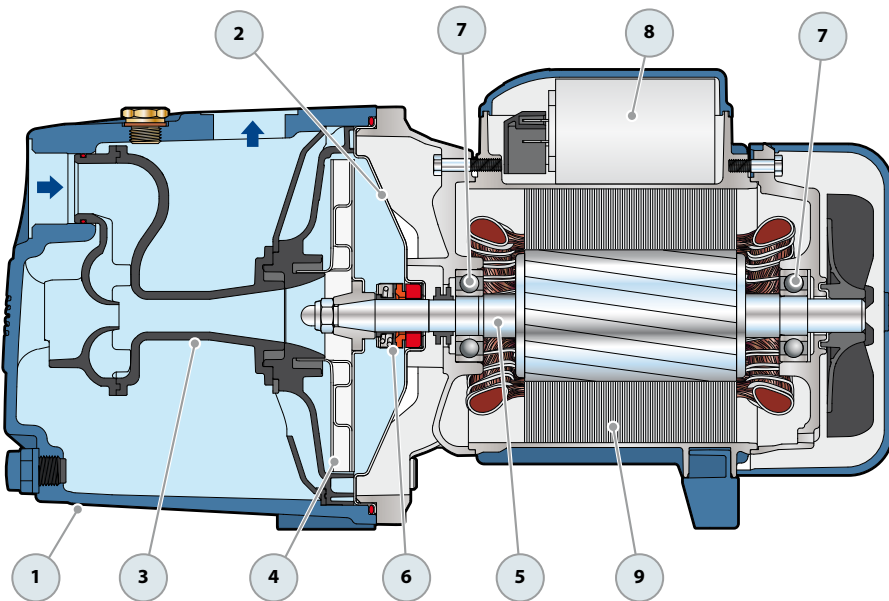
Q = Flow rate H = Total manometric head HS = Suction height

Tolerance of characteristic curves in compliance with EN ISO 9906 Grade 3B.

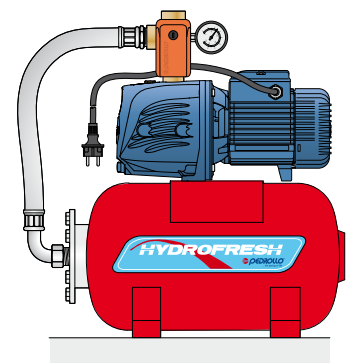
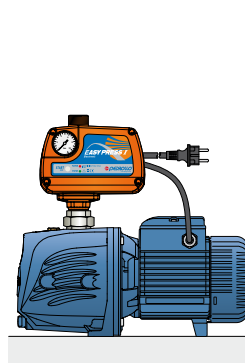
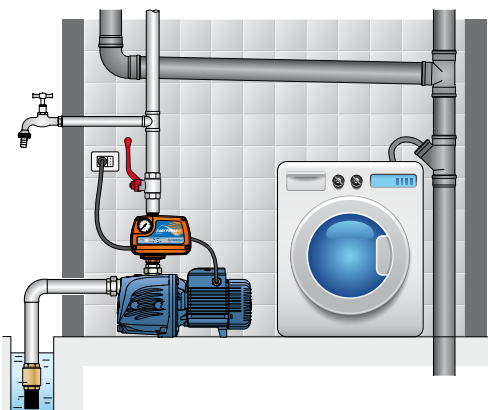
▲ Three phase motor efficiency class (IEC 60034-30-1)

## POS. COMPONENT CONSTRUCTION CHARACTERISTICS

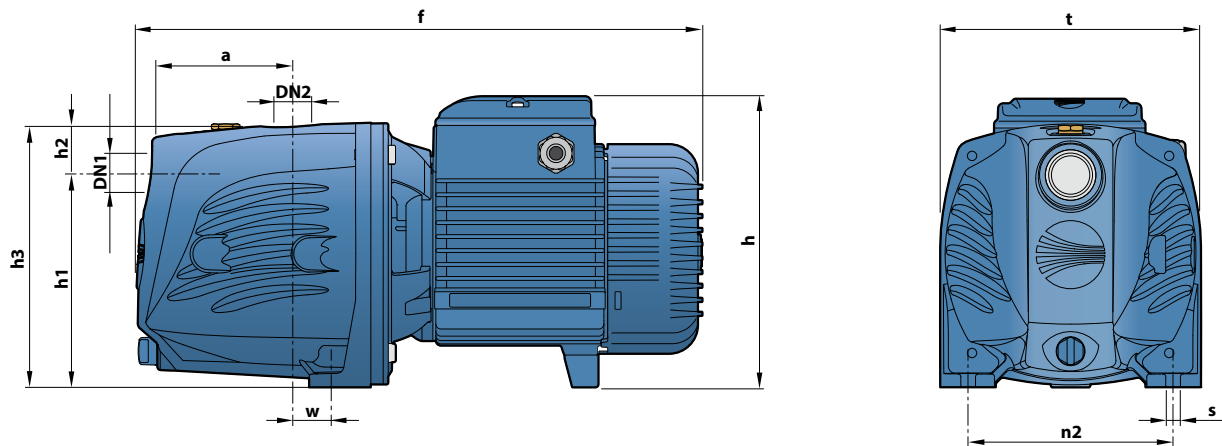
1	<b>PUMP BODY</b>	Cast iron, complete with threaded ports in compliance with ISO 228/1				
2	<b>BODY BACKPLATE</b>	Stainless steel AISI 304				
3	<b>NOZZLE ASSEMBLY</b>	Noryl FE1520PW				
4	<b>IMPELLER</b>	Stainless steel AISI 304				
5	<b>MOTOR SHAFT</b>	Stainless steel AISI 431				
6	<b>MECHANICAL SEAL</b>	<i>Seal Model</i>	<i>Shaft Diameter</i>	<i>Stationary ring</i>	<i>Materials</i> <i>Rotational ring</i>	<i>Elastomer</i>
		AR-14	Ø 14 mm	Ceramic	Graphite	NBR
7	<b>BEARINGS</b>	6203 ZZ / 6203 ZZ				
8	<b>CAPACITOR</b>	<i>Pump Single-phase</i>	<i>Capacitance (230 V or 240 V)</i>	<i>(110 V)</i>		
		JSWm 2C-CL-CM	20 µF - 450 VL	60 µF - 300 VL		
		JSWm 2B	25 µF - 450 VL	60 µF - 300 VL		
		JSWm 2A-AH	25 µF - 450 VL	60 µF - 300 VL		
9	<b>ELECTRIC MOTOR</b>	<b>JSWm:</b> single-phase 230 V - 50 Hz with thermal overload protector incorporated into the winding. <b>JSW:</b> three-phase 230/400 V - 50 Hz. <b>⇒ The three-phase pumps are fitted with high performance motors in class IE3 (IEC 60034-30-1)</b> – Insulation: class F – Protection: IP X4				



## STANDARD INSTALLATION



## DIMENSIONS AND WEIGHT



MODEL		PORTS		DIMENSIONS mm										kg	
Single-phase	Three-phase	DN1	DN2	a	f	h	h1	h2	h3	t	n2	w	s	1~	3~
JSWm 2C	JSW 2C	1"	1"	96	389	200 *	147	33	180	180	142	22	10	13.0	13.0
JSWm 2B	JSW 2B													14.0	14.0
JSWm 2A	JSW 2A													14.7	14.4
JSWm 2CM	JSW 2CM													13.0	13.0
JSWm 2CL	JSW 2CL													13.0	13.0
JSWm 2AH	JSW 2AH													14.7	14.4

(\*) h=220 mm for single phase versions at 110 V

## ABSORPTION

MODEL	VOLTAGE		
	230 V	240 V	110 V
Single-phase	230 V	240 V	110 V
JSWm 2C	4.7 A	4.5 A	9.4 A
JSWm 2B	5.8 A	5.3 A	11.6 A
JSWm 2A	6.0 A	5.5 A	12.0 A
JSWm 2CM	4.7 A	4.5 A	9.4 A
JSWm 2CL	3.8 A	3.7 A	7.6 A
JSWm 2AH	6.0 A	5.5 A	12.0 A

MODEL	VOLTAGE					
	230 V	400 V	690 V	240 V	415 V	720 V
Three-phase	230 V	400 V	690 V	240 V	415 V	720 V
JSW 2C	3.5 A	2.0 A	1.2 A	3.4 A	1.9 A	1.1 A
JSW 2B	4.6 A	2.7 A	1.6 A	4.5 A	2.6 A	1.5 A
JSW 2A	5.1 A	3.0 A	1.7 A	4.9 A	2.8 A	1.7 A
JSW 2CM	3.5 A	2.0 A	1.2 A	3.4 A	1.9 A	1.1 A
JSW 2CL	3.2 A	1.8 A	1.1 A	3.1 A	1.8 A	1.1 A
JSW 2AH	5.1 A	3.0 A	1.7 A	4.9 A	2.8 A	1.7 A

## PALLETIZATION

MODEL		GROUPAGE	CONTAINER
Single-phase	Three-phase	n. pumps	n. pumps
JSWm 2C	JSW 2C	72	96
JSWm 2B	JSW 2B	72	96
JSWm 2A	JSW 2A	72	96
JSWm 2CM	JSW 2CM	72	96
JSWm 2CL	JSW 2CL	72	96
JSWm 2AH	JSW 2AH	72	96